

PRODUCT DATASHEET

IP65+Aluminum+High luminous efficiency - Wall Light
HYD-W20-10W 3000K



Application

- Villa
- Courtyard
- Doorway
- Balcony
- Corridor

Benefits

- Flicker free
- Protection against water & dust, IP65
- Low power, high light efficiency, energy saving and environmental protection

Features

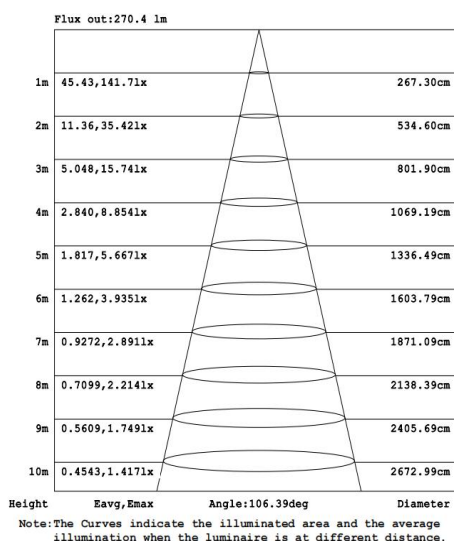
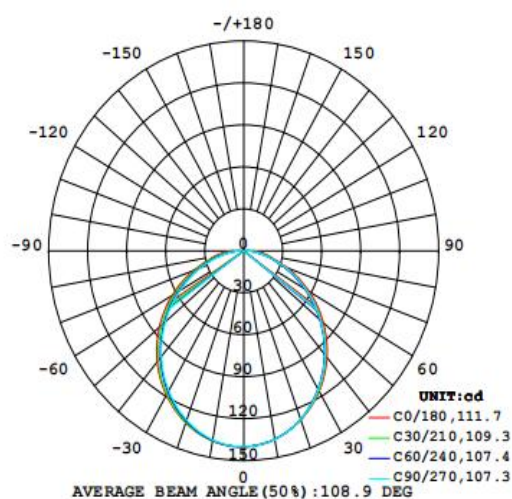
- Warranty 5 years
- PC, Good light transmission
- High light transmission mask to ensure uniform light, reduce the dark area of the lighting environment

Electrical Data

Nominal wattage (W)	10 W
Nominal Voltage (V)	220-240 V
Mains Frequency (Hz)	50
Nominal Current (mA)	79
LED Driver Current (mA)	300
LED Driver Voltage (VDC)	28-42
LED Driver Efficiency (%)	...
Power Factor λ	0.55C
Total harmonic distortion (%)	...
Operating mode	Built in LED driver

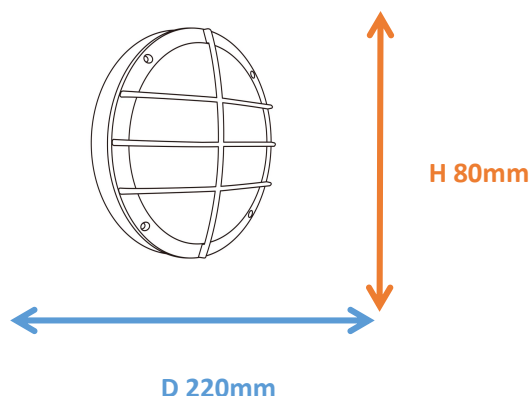
Photometrical data

Luminous flux $\pm 10\%$ (lm)	389 lm
Luminous efficacy	38 lm/w
Color temperature	6500K
Light color (designation)	Cold White
Color rendering index Ra	≥ 80
Standard deviation of color matching	≤ 5 SDCM
Luminous intensity/cd	140
Flickering	Flicker free
Beam angle	109 °



Dimensions & Weight

Diameter (mm)	220
Height (mm)	80
Product weight (g)	...



Material & Colors

Product color	White light cover/Black or Bule Housing
Housing color	Black or Bule
Body material	Aluminum
Cover material	PC
Mercury content	0.0 mg

Application & Mounting

Ambient temperature range	-30°C~+50 °C
Temperature range at storage	-40°C~+50 °C
Type of connection	Screw terminal
Type of protection	IP65
Dimmable	No
Mounting type	Surface mounted
Mounting location	Wall
Application environment	Indoor/Outdoor
Cut size (mm)	No
LED module replaceable	Not replaceable
With light source	Yes

Certificates & Lifespan

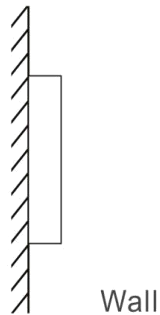
Life (h)	50,000
Certificates	CB CE LVD EMC
Standards	ISO9001:2015

Logistical Data

Product code	Dimensions (L*W*H)	Pcs/ carton	G.W. kg	Volume CBM
HYD-W20-10W

This is the estimated data. Subject to the actual shipment.

Installation Method



Disclaimer

Subject to change without notice. Errors and omission excepted. Always make sure to use the most recent release