

## PRODUCT DATASHEET

### Five years warranty - Flood Light HYD-407-75W 6500K



---

### Application

- Stadium
- Park
- Large area workplace
- Packing lots
- Gymnasiums

---

### Benefits

- Flicker free
- Lighting coverage area is wide
- Protection against water & dust, IP65
- Adjustable support, any Angle, flexible adjustment of light direction

---

### Features

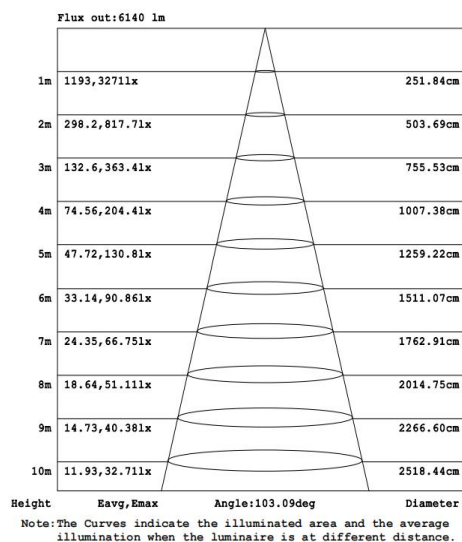
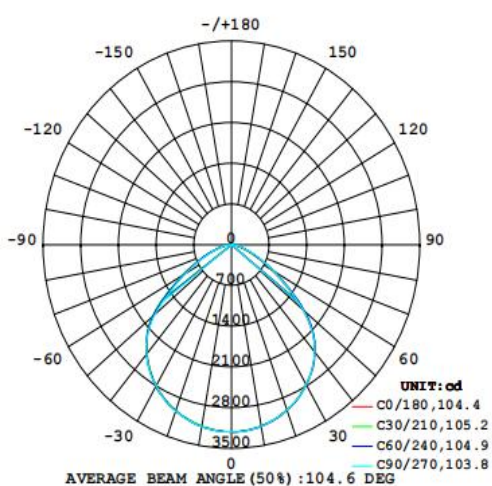
- Warranty 5 years
- Highly transparent glass mask
- Easy and quick installation
- Thick aluminum lamp body, corrosion resistance, good heat dissipation, long service life

## Electrical Data

Nominal wattage (W)	<b>75W</b>
Nominal Voltage (V)	220
Mains Frequency (Hz)	50
Nominal Current (mA)	366
Power Factor $\lambda$	0.92
Operating mode	DOB

## Photometrical data

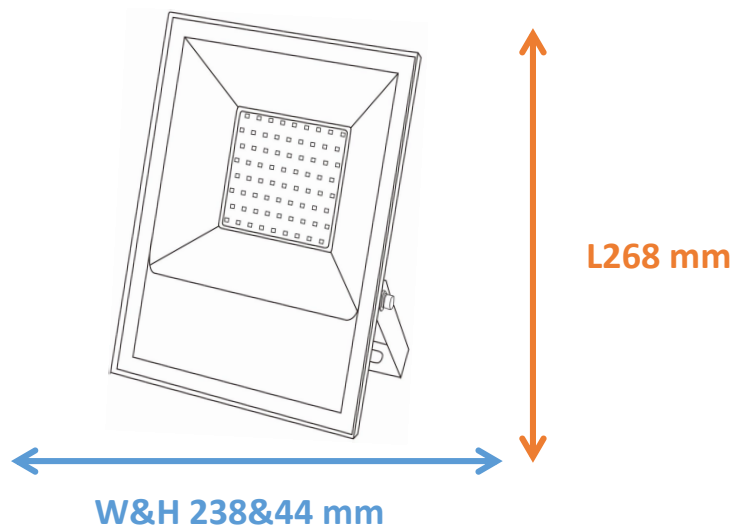
Luminous flux $\pm 10\%$ (lm)	8044 lm
Luminous efficacy	108 lm/w
Color temperature	<b>6500K</b>
Light color (designation)	Cold White
Color rendering index Ra	$\geq 80$
Standard deviation of color matching	$\leq 5$ SDCM
Luminous intensity/cd	3219
Flickering	Flicker free
Beam angle	105 °



**IES**

### Dimensions & Weight

Diameter (mm)	268*238
Height (mm)	44
Product weight (g)	1235



### Material & Colors

Product color	Black housing and Green Frame
Housing color	Black
Body material	Aluminum
Cover material	Glass
Mercury content	0.0 mg

### Application & Mounting

Ambient temperature range	-10-45 °C
Temperature range at storage	-25-60 °C
Type of connection	Screwless terminal
Type of protection	IP65
Dimmable	No
Mounting type	Put / Suspension
Mounting location	Underground / Wall / Ceiling
Application environment	Indoor / Outdoor
Cut size (mm)	No
LED module replaceable	Not replaceable
With light source	Yes

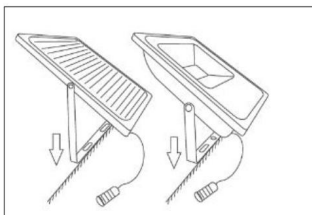
## Certificates & Lifespan

Life (h)	50,000
Certificates	CB CE LVD EMC
Standards	ISO9001:2015

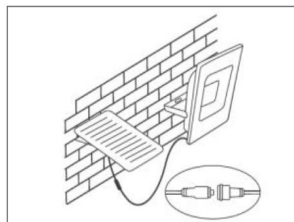
## Logistical Data

Product code	Dimensions (L*W*H)	Pcs/ carton	G.W. kg	Volume CBM
HYD-407-75W	57*28.5*31.5 cm	10	...	0.05117

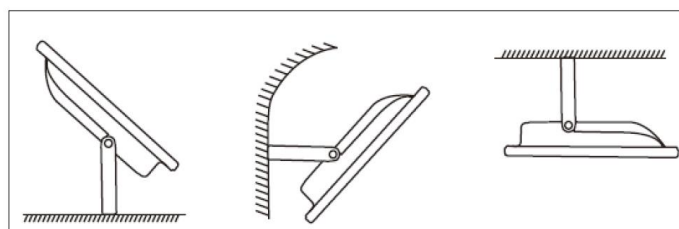
## Installation Method



Fix the lamp and the solar panel with stainless steel screws.



Make sure to connect the plug firmly.



Install the LED flood lights in the ground, wall, and ceiling

## Disclaimer

Subject to change without notice. Errors and omission excepted. Always make sure to use the most recent release.