

## PRODUCT DATASHEET

### Surface mounted Panel light HYD-105CR-50W-6500K



---

### Application

- Office
- Kitchen
- Rest room
- Corridor
- Shop

---

### Benefits

- Flicker free.
- The light is soft and bright
- Drive stable, safe and reliable
- High light transmission mask to ensure uniform light

---

### Features

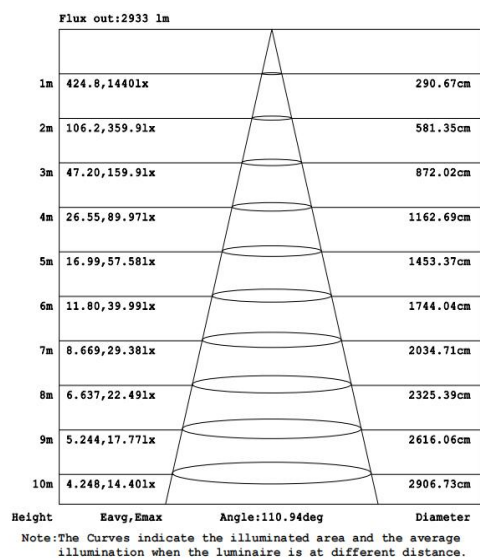
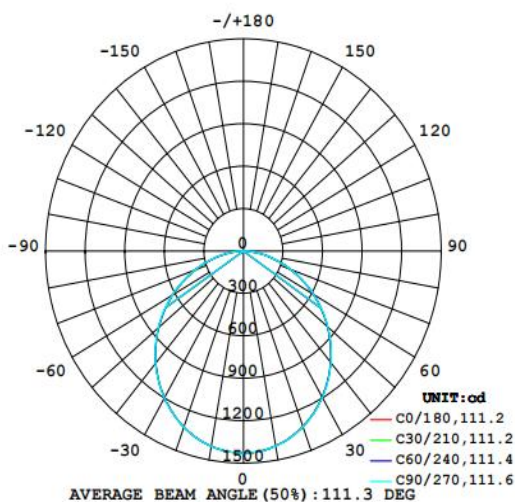
- Efficient and durable
- Easy and quick installation
- Die-cast aluminum body for better heat dissipation, anti-corrosion, and easy maintain

## Electrical Data

Nominal wattage (W)	<b>50W</b>
Nominal Voltage (V)	220-240 V
Mains Frequency (Hz)	50
Nominal Current (mA)	227
LED Driver Current (mA)	1200
LED Driver Voltage (VDC)	24-42
LED Driver Efficiency (%)	...
Power Factor $\lambda$	0.85C-0.95
Total harmonic distortion (%)	...
Operating mode	External LED driver

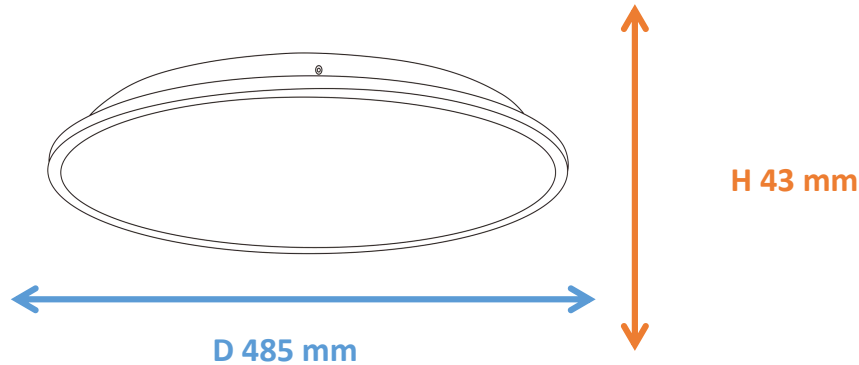
## Photometrical data

Luminous flux $\pm 10\%$ (lm)	4040 lm
Luminous efficacy	85 lm/w
Color temperature	<b>6500K</b>
Light color (designation)	Cold White
Color rendering index Ra	$\geq 80$
Standard deviation of color matching	$\leq 5$ SDCM
Luminous intensity/cd	1429
Flickering	Flicker free
Beam angle	111 °



## Dimensions & Weight

Diameter (mm)	485
Height (mm)	43
Product weight (g)	2257



## Material & Colors

Product color	Black
Housing color	Black
Body material	Aluminum
Cover material	PMMA
Mercury content	0.0 mg

## Application & Mounting

Ambient temperature range	-10°C~+40 °C
Temperature range at storage	-10°C~+40 °C
Type of connection	Screw terminal
Type of protection	IP20
Dimmable	No
Mounting type	Surface mounted
Mounting location	Ceiling
Application environment	Indoor
Cut size (mm)	No
LED module replaceable	Not replaceable
With light source	Yes

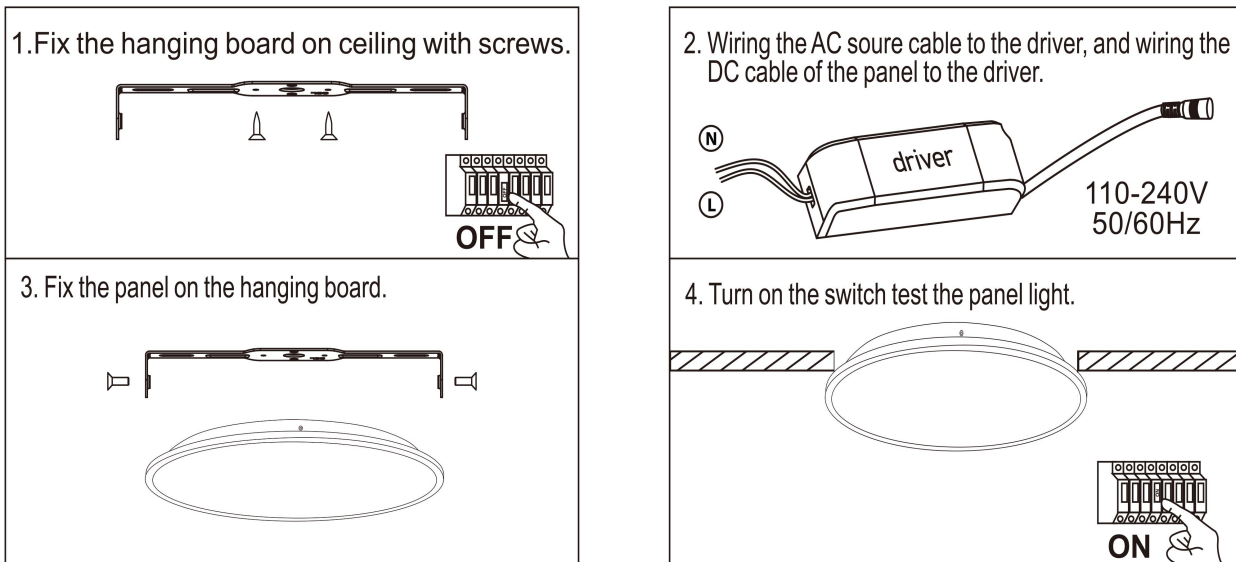
## Certificates & Lifespan

Life (h)	50,000
Certificates	CB LVD EMC RoHS
Standards	ISO9001:2015

## Logistical Data

Product code	Dimensions (L*W*H)	Pcs/ carton	G.W. kg	Volume CBM
HYD-105CR-50W	55.5*24*56 cm	4	...	0.07459

## Installation Method



## Disclaimer

Subject to change without notice. Errors and omission excepted. Always make sure to use the most recent release